

CF BATHROOM EXHAUST FANS



CF50 FAN



CF70 FAN

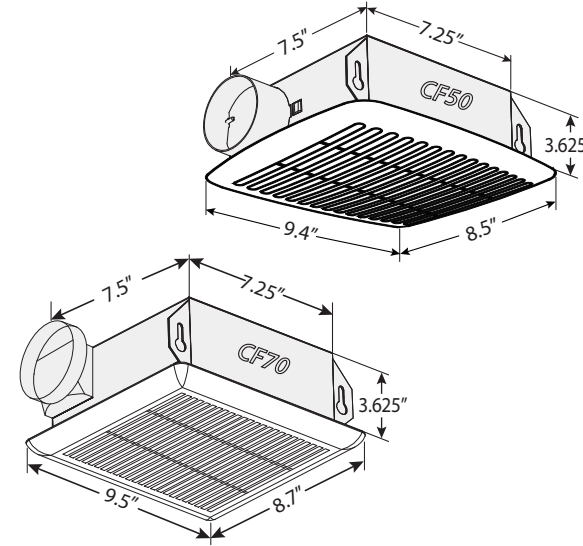


HVI certified model CF70 only

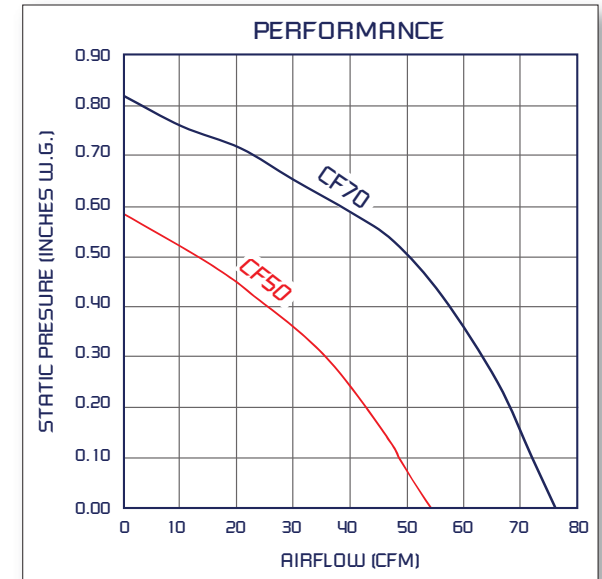
FEATURES & BENEFITS

- Clean, simple grille design
- Galvanized steel housing
- Easy installation
- Mounting brackets adjust up to 24" span
- Built-in backdraft damper
- Efficient AC motor; 120 V, 60 Hz operation
- Automatic reset thermal overload protection
- Contractor packages available (6 units per box)
- Available to fit duct sizes 3" & 4"

PERFORMANCE				
MODEL	DUCT DIA.	SONES	WATTS	CFM @ 0.1" SP
CF50	3"	3.5	51	50
CF70	4"	3.5	63	70



*DO NOT USE FOR CONSTRUCTION
CONSULT FACTORY FOR CERTIFIED PRINTS



TF TRANQUIL BATHROOM FANS



TF FANS



TF-L FANS

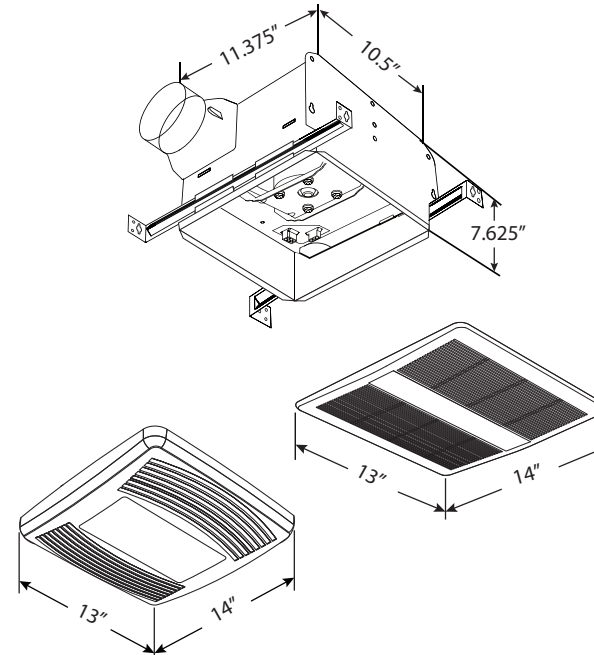


TF110 & TF110L are HVI certified and Energy Star qualified for 6" duct only

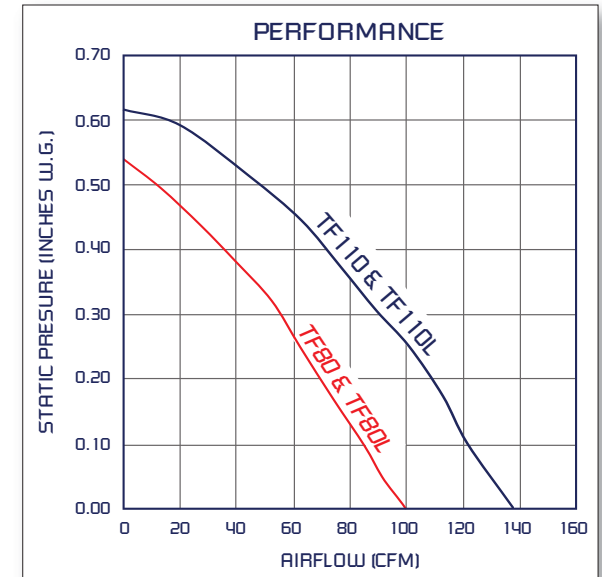
FEATURES & BENEFITS

- Superior ventilation & efficient performance
- Whisper-quiet, under 1 sone
- Non-lighted (TF80 & TF110) models
- Lighted (TF80L & TF100L) models
- Galvanized steel housing
- Easy installation
- Mounting brackets adjust up to 24" span
- Built-in backdraft damper
- Efficient AC motor; 120V, 60 Hz operation
- Automatic reset thermal overload protection
- Max 26W GU24 fluorescent light
- Available to fit duct sizes 4" & 6"

PERFORMANCE					
MODEL	DUCT DIA.	SONES	WATTS	CFM @ 0.1" SP	CFM @ 0.25" SP
TF80	4" & 6"	0.4	25	80	58
TF80L	4" & 6"	0.4	33	80	58
TF110	4" & 6"	0.9	25	110	100
TF110L	4" & 6"	0.9	33	110	100



*DO NOT USE FOR CONSTRUCTION
CONSULT FACTORY FOR CERTIFIED PRINTS



BATHROOM FANS



DUCT FANS



BATHROOM VENTILATION KITS



DRYER BOOSTER FANS



FAN ACCESSORIES



FAN CONTROLS



AIR PURIFIERS



Distributed by:



CF-TF-QF-1703

1-800-779-4021

Buffalo, NY | Mississauga, ON | Dayton, OH

Continental Fan



CF Bathroom Exhaust Fans

TF Tranquil Bathroom Fans

