

Project: _____

Tag: _____

Engineer: _____

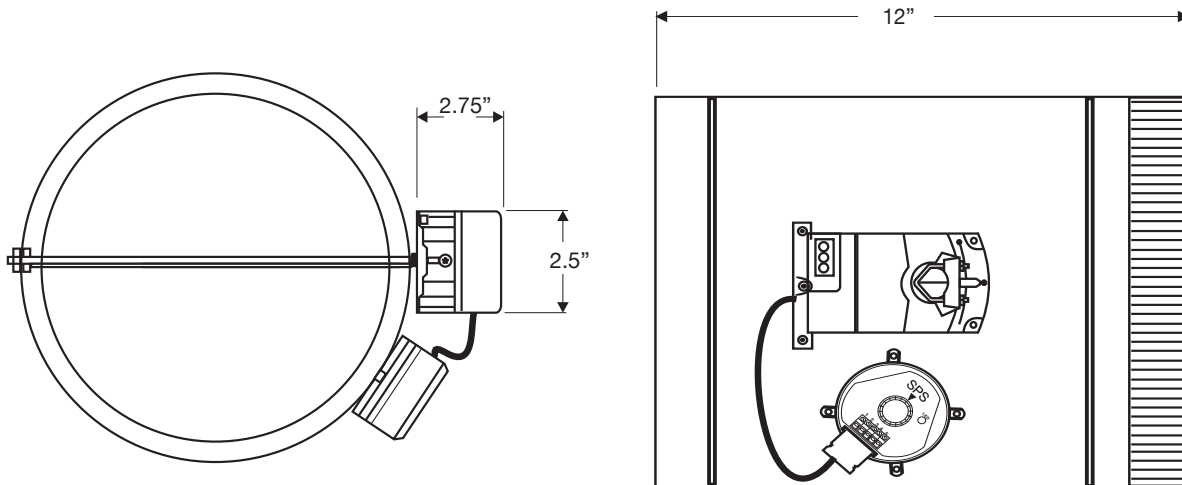
Contractor: _____

Date: _____

ELECTRIC BYPASS ROUND DAMPER

MODEL: EBRD

Electric Bypass Round Damper
3-Wire, Floating Point, Motorized Round
Electric Bypass Zone Damper



Dimensions and Applications:

- EBRD Models are available in Standard Sizes from 6"-20"
- Compatible with residential or light commercial HVAC applications that require maintaining a static pressure of 0.08" to 1.2" WC

Standard Construction:

- 24 Gauge Smooth Steel
- 1/2" Aluminum shaft
- Nylon bushings for quiet operation
- Minimum position adjustment

Electrical and Power:

- Powered by a Power Close/Power Open Actuator
- 24 Volt, 2 VA, 90 Second Timing
- 3-Wire, Floating Point, 44 lb.-inch

Static Pressure Sensor:

- Factory Mounted
- 1/4" I.D. Flex hose connection
- Solid state control design
- Built-in LED for damper direction