



P: 800.961.7370
www.solerpalau-usa.com

VL - Vent Light

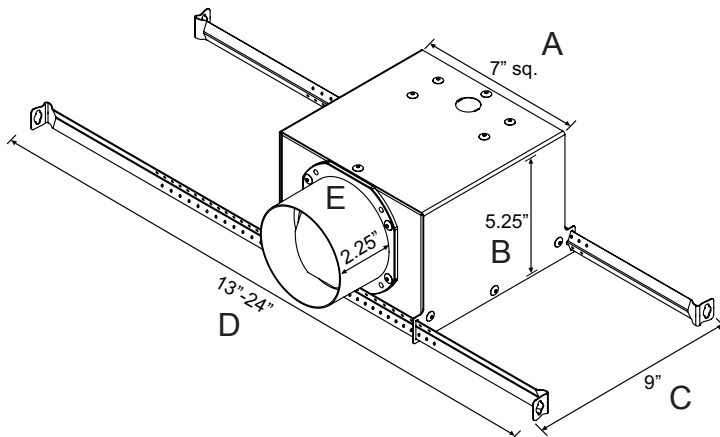


Features:

- Longer duct collar for 4" duct
- Extendable hanger bars up to 24"
- 7.5" grill
- Built-in backdraft damper
- 3 bulb options

Model	Description
VLH-100	Vent Light with PAR30 Halogen Bulb
VLF-100	Vent Light with Energy Star Rated Compact Fluorescent Bulb
VLED-100	Vent Light with PAR30 LED Bulb

Dimensions (inches)



ACCESSORY MODEL	1	2	3	4	5	REMARKS

Project: _____	Submitted: _____
Customer: _____	Approved: _____
Location: _____	

For more information contact us at www.solerpalau-usa.com or 1.800.961.7370 for additional submittal drawings.

Soler & Palau will not be responsible for fabrication changes or errors resulting from customer use of a non-current submittal drawing.

