

The logo for Suncourt Radon Fan. It features the word "SUNCOURT" in a bold, black, sans-serif font with a registered trademark symbol. To the left of "SUNCOURT" is a stylized orange and white icon of a sun or fan. Below "SUNCOURT" are the words "RADON FAN" in a large, white, sans-serif font with a thick orange outline and a drop shadow effect.

Back

SUNCOURT® RADON FAN MODEL: RDN04 & RDN04-3, RDK04 & RDK04-3 INSTALLATION INSTRUCTIONS

READ THESE INSTRUCTIONS BEFORE PLANNING YOUR INSTALLATION PLEASE READ AND SAVE THESE INSTRUCTIONS:

DO NOT CONNECT POWER SUPPLY UNTIL FAN IS COMPLETELY INSTALLED.

CAUTION: BEFORE CARRYING OUT ANY MAINTENANCE OR SERVICING, ENSURE THE UNIT IS DISCONNECTED FROM THE MAIN POWER SUPPLY.

DO NOT USE TO EXHAUST HAZARDOUS OR EXPLOSIVE MATERIALS AND VAPORS OR DUST.

NEVER EXPOSE THIS FAN TO TEMPERATURES EXCEEDING 140°F (60°C).

WARNING - TO REDUCE THE RISK OF FIRE, ELECTRIC SHOCK, OR INJURY TO PERSONS, OBSERVE THE FOLLOWING:

1. Do not use fan in hazardous environments where fan electrical system could provide ignition to combustible or flammable materials.
2. Do not use fan to exhaust explosive or corrosive gases.
3. Check voltage at the fan to insure it corresponds with product nameplate.
4. Normal operation of this device may affect the supply of fresh air needed for safe operation of fuel burning equipment. Follow safety standards, codes, and heating equipment manufacturer's procedures guide lines.
5. There are no user serviceable parts located inside the fan unit. Do NOT attempt to open (this will void manufacturer's warranty). Return unit to the factory with original purchase receipt for service after obtaining a Return Goods Authorization (RGA).
6. All wiring must be in accordance with local and national electrical codes. When installed outside, power must be supplied from a GFCI (Ground Fault Circuit Interruptor).
7. Operate unit only in the manner intended. If you have questions, contact the manufacturer.
8. Before servicing or cleaning the unit, switch power to off at service panel to prevent power from being switched on accidentally. When the service disconnecting means cannot be locked, securely fasten a prominent warning device such as a tag to the service panel.
9. Installation work and electrical wiring must be done by a qualified person(s) in accordance with all applicable codes and standards, including fire-rated construction.

10. This unit has an unguarded impeller. Do not use in locations where the impeller is readily accessible to people or animals.

11. This unit can be used with the Suncourt VS100 or VS200 solid state speed control.

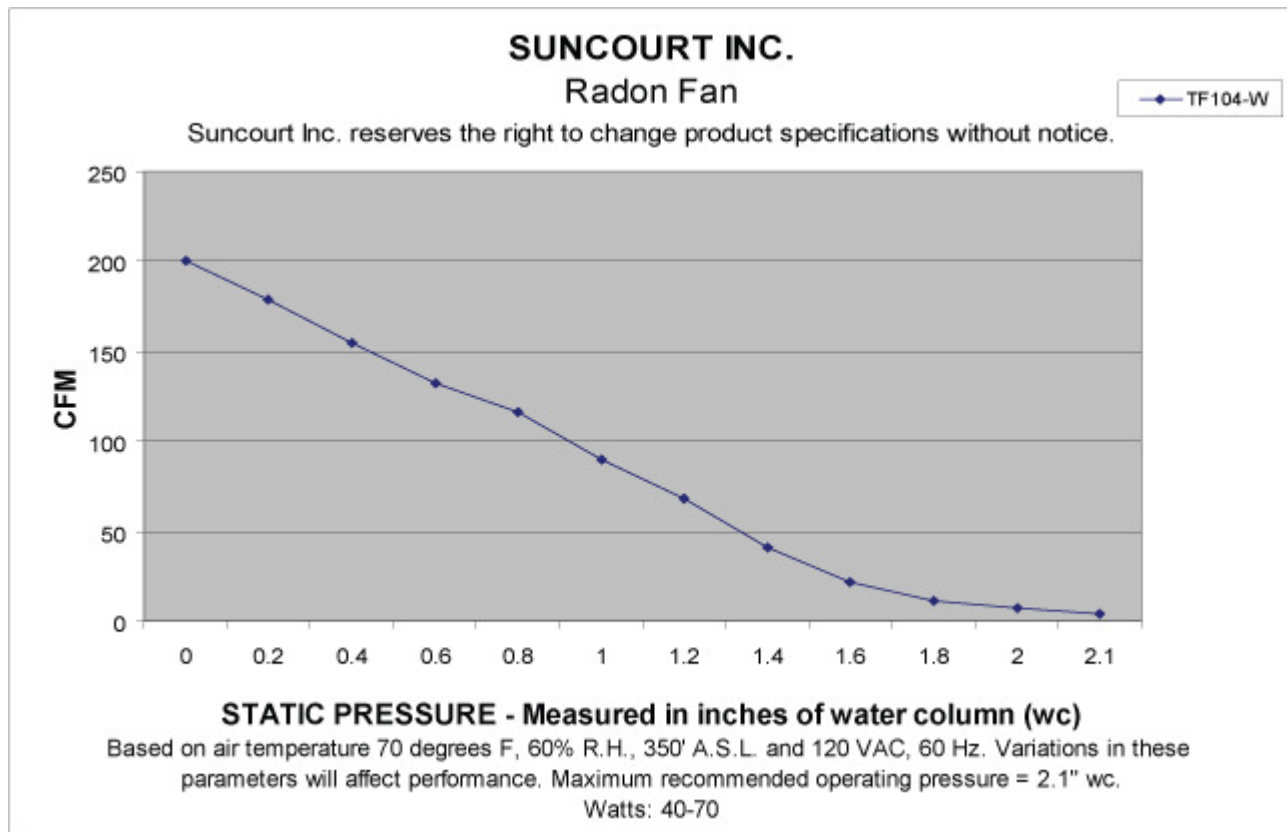
| Model | Duct Diameter | Fan Start Amps | Running Watts | Power Required | Free Air | dBA | Sones | Max Operating Pressure |
|---------|---------------|----------------|---------------------|------------------|----------|-----|-------|------------------------|
| TF104-W | 4" | .53 | (1) 40 (2) 40-70 | 120 VAC 60 Hz | 200 | 60 | 4 | 2.1" wc |

(1) Running watts at zero static pressure


(2) Watts range at varying static pressure

FAN SPECIFICATIONS

Electric Motor • External Rotor • Ball Bearing • Class B • Thermally Protected • Conforms To ANSI-UL 705 & CSA 22.2 • ETL Listed • Housing Material FRABS • UV Protected • Flame Rating UL 94V0 • Housing Color White



MOUNTING HARDWARE INCLUDED



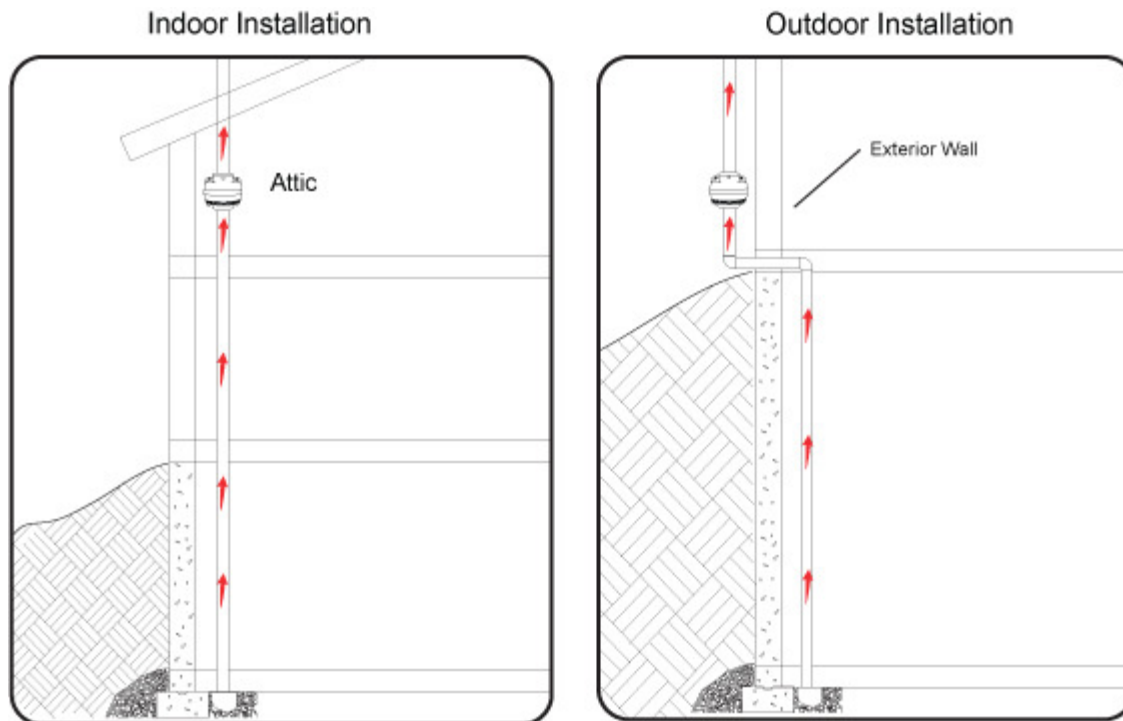
| | | | | | | | |
|-------|----------------------------|-------------------------|---------|----------------|---------------|--------------------------|----------------|
| TF104 | Qty. 4 | Qty. 4 | Qty. 4 | Qty. 4 | Qty. 4 | Qty. 2 | Qty. 2 |
| Model | #8 x 1" Self Tapping Screw | #6 x 1/2" Machine Screw | Hex Nut | #6 Lock Washer | Rubber Washer | Centrax Mounting Bracket | White Couplers |

| | | |
|---|--------|--|
|  | Qty. 6 | #6 Screws For Securing Duct Connection |
|---|--------|--|

INSTALLATION

Retain original packaging.

The fan can be mounted indoors or outdoors. (It is suggested that EPA recommendations be followed in choosing the fan location.) The fan may be mounted directly on the system piping or fastened to a supporting structure by means of mounting brackets provided.



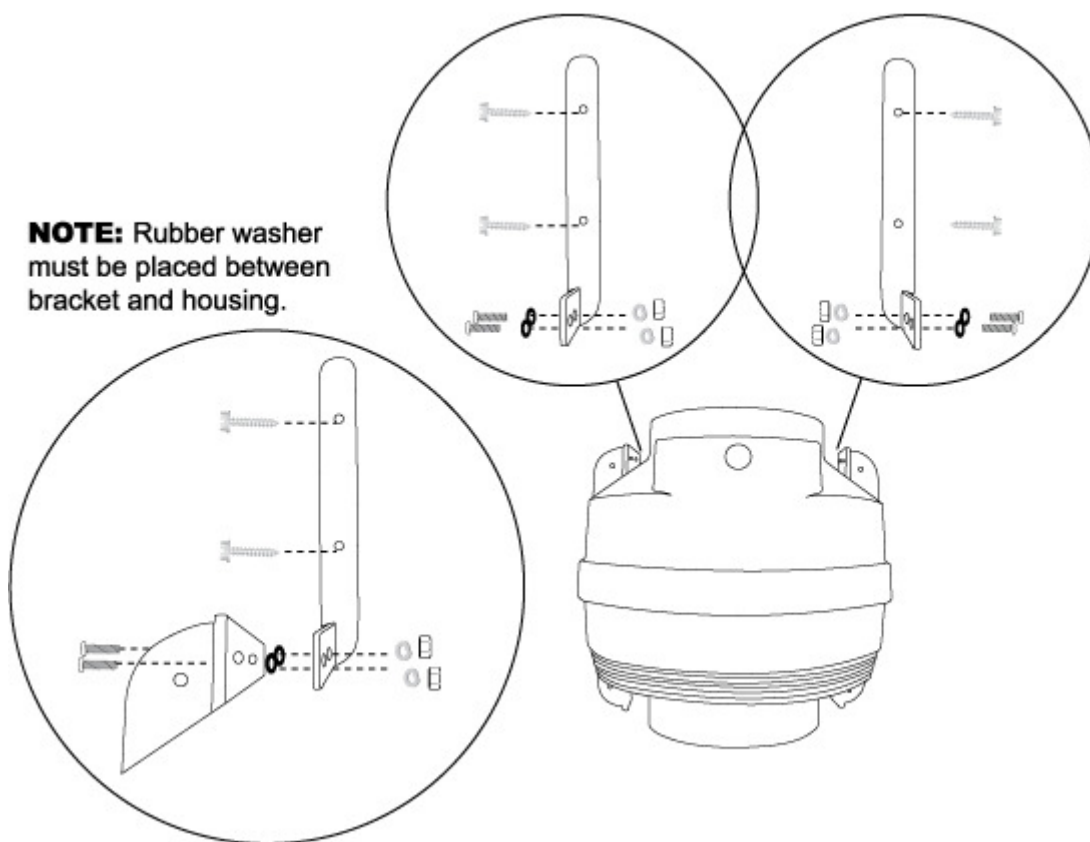
MOUNTING

Mount the fan vertically with outlet up. Insure the unit is plumb and level. When mounting directly on the system piping ensure that the fan does not contact any building surface to avoid vibration noise. Use the flexible couplers provided to secure the fan to the piping.

MOUNTING BRACKET

The fan may be further secured with the mounting brackets provided.

The flexible couplings will provide means of disconnect for cleaning the impeller and also to isolate vibration.



ELECTRICAL WIRING

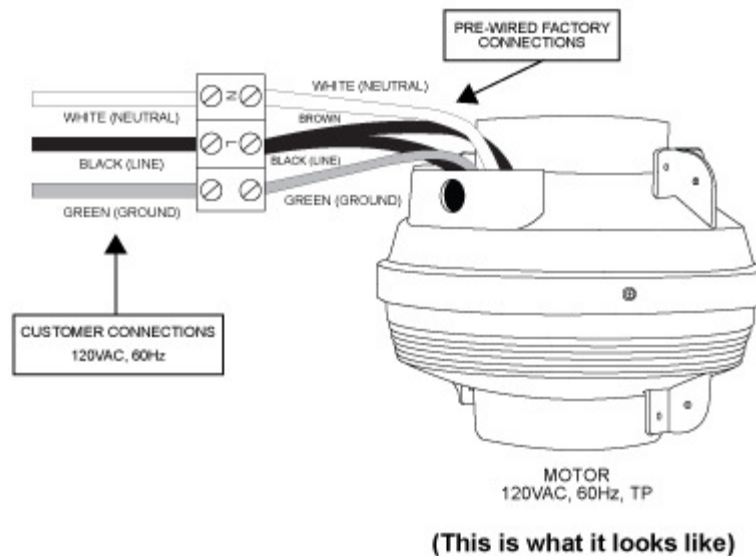
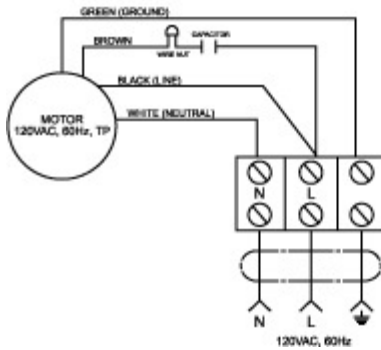
The fans operate on standard 120V 60 Hz AC. All wiring must be performed in accordance with the National Electrical Code and state and local building codes. A qualified electrician should perform all electrical work. Outdoor installations require the use of UL Listed watertight conduit and power supplied from a GFCI (Ground Fault Circuit Interruptor).

ELECTRICAL CONNECTION

Connect wiring with terminal block provided, observing proper connections.

| Fan Wire | Connection |
|----------|------------|
| Green | Ground (G) |
| Black | AC Line |
| White | AC Neutral |

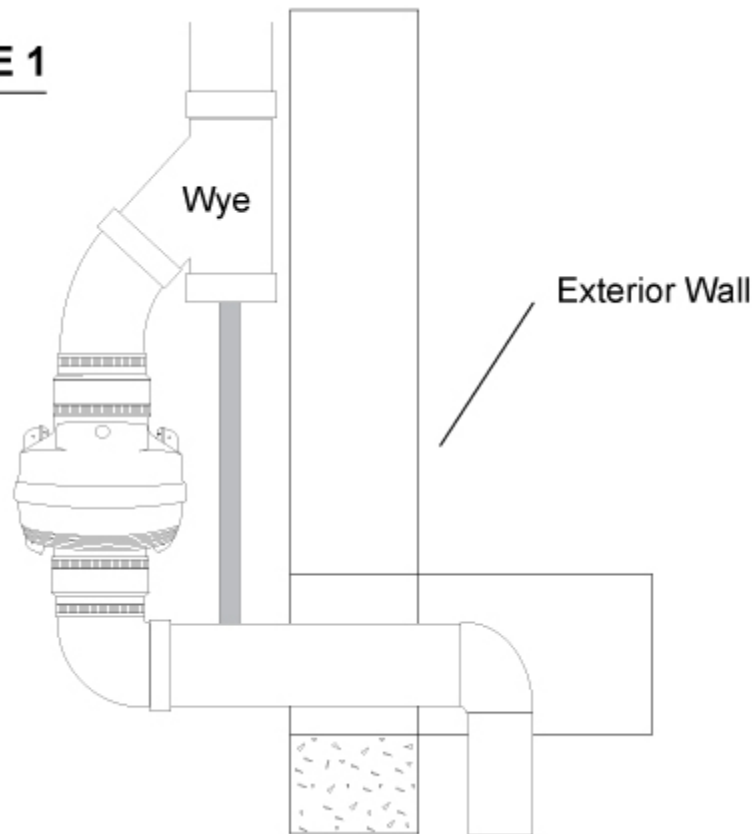
WIRING SCHEMATIC



CONDENSATION & DRAINAGE

Condensation is formed in the piping of a mitigation system when the air in the piping is chilled below its dew point. This can occur at points where the system piping goes through unheated space such as an attic, garage or outside. The system design must provide a means for water to drain back to a slab hole to remove the condensation. The fan **MUST** be mounted vertically plumb and level, with the outlet pointing up for proper drainage through the fan. Avoid mounting the fans in any orientation that will allow water to accumulate inside the fan housing. The fans are **NOT** suitable for underground burial.

Under some circumstances a condensate bypass should be installed in the outlet ducting as shown Figure 1. This may be particularly true in cold climate installations, which require long lengths of outlet ducting or when the outlet ducting is likely to produce large amounts of condensation because of high soil moisture or outlet duct material. Schedule 20 piping and other thin-walled plastic ducting or aluminum downspout piping will normally produce much more condensation than Schedule 40 piping.

FIGURE 1

The bypass is constructed with a 45 degree Wye fitting at the bottom of the outlet stack. The bottom of the Wye is capped and fitted with a tube that connects to the inlet piping or other drain. The condensation produced in the outlet stack is collected in the Wye fitting and drained through the bypass tube. The bypass tubing may be insulated to prevent freezing.

Failure to install a proper condensate collection system voids the product warranty.

MAINTENANCE

Inspect the product at least once every 12 months for excessive dust and dirt build up on the impeller (more often in dusty environments). Clean as necessary. The unit must be disconnected from power during inspection and/or cleaning.

“SYSTEM ON” INDICATOR

A properly designed system should incorporate a “System On” Indicator to confirm system operation mode or status. A manometer, such as a U-Tube, or a vacuum alarm is recommended for this purpose.

SLAB COVERAGE

The Suncourt Radon Fan provides coverage up to 2000 sq. ft. per slab penetration depending on type of sub slab material. If one slab penetration does not sufficiently mitigate the Radon then additional slab penetration points can be added as required.

Detailed Radon information is available on the EPA’s website at: <http://www.epa.gov/radon/>

FIVE YEAR LIMITED WARRANTY

Subject to the following limitations, Suncourt Inc. (manufacturer) warrants that the fan will, for 5 (five) years from date of original purchase, remain free from appearance of defects in workmanship or materials. This warranty is subject to the following limitations: (a) manufacturer's liability is limited to the replacement or repair of the unit, as decided by the manufacturer; (b) a defective unit must be returned, prepaid, with proof of purchase, to Suncourt; and (c) this warranty does not apply to defects resulting from the alteration, abuse, accidental damage, unauthorized repair, or misuse of the unit. This warranty is given in lieu of all other warranties, guarantees, and conditions on manufacturer's part, and the manufacturer shall have no tortious or other liability in respect to this fan. There is no implied warranty of merchantability and fitness for a particular purpose.

Suncourt shall not be liable for any direct, indirect, special, incidental or consequential damages arising from, or relating to, the fan or the performance of it. Suncourt's maximum liability shall not exceed the amount of the purchase price of the fan. The sole remedy under this warranty shall be the repair or replacement of the product.

WARRANTY RETURN

Call Suncourt at 1.800.999.3267 for a Return Goods Authorization (RGA) number. Please have date of original purchase available.

Mark the RGA number clearly on the return shipping box. We do not accept returns without a valid RGA number.

Package the unit using the original packaging including the styrofoam inserts to avoid damage in shipping.

**SUNCOURT INC.
500 W. SECOND AVENUE
P.O. BOX 40
DURANT, IOWA 52747-0040**

1-800-999-FANS (3267)

Copyright 1998-2011 Suncourt Inc. All Rights Reserved